

# OUR LOCATIONS

## HEAD OFFICE

Unit 2-4 Little Ridge | The Ridgeway  
Welwyn Garden City | Hertfordshire | AL7 2BH

01707 927 400

## PLANT & HAULAGE YARD

Unit 1 | Smithers Farm | Guildford Road  
Rudgwick | West Sussex | RH12 3BX

01403 822 701

**24**  
HOUR **0330 123 5440**

info@prorailservices.co.uk  
www.prorailservices.co.uk



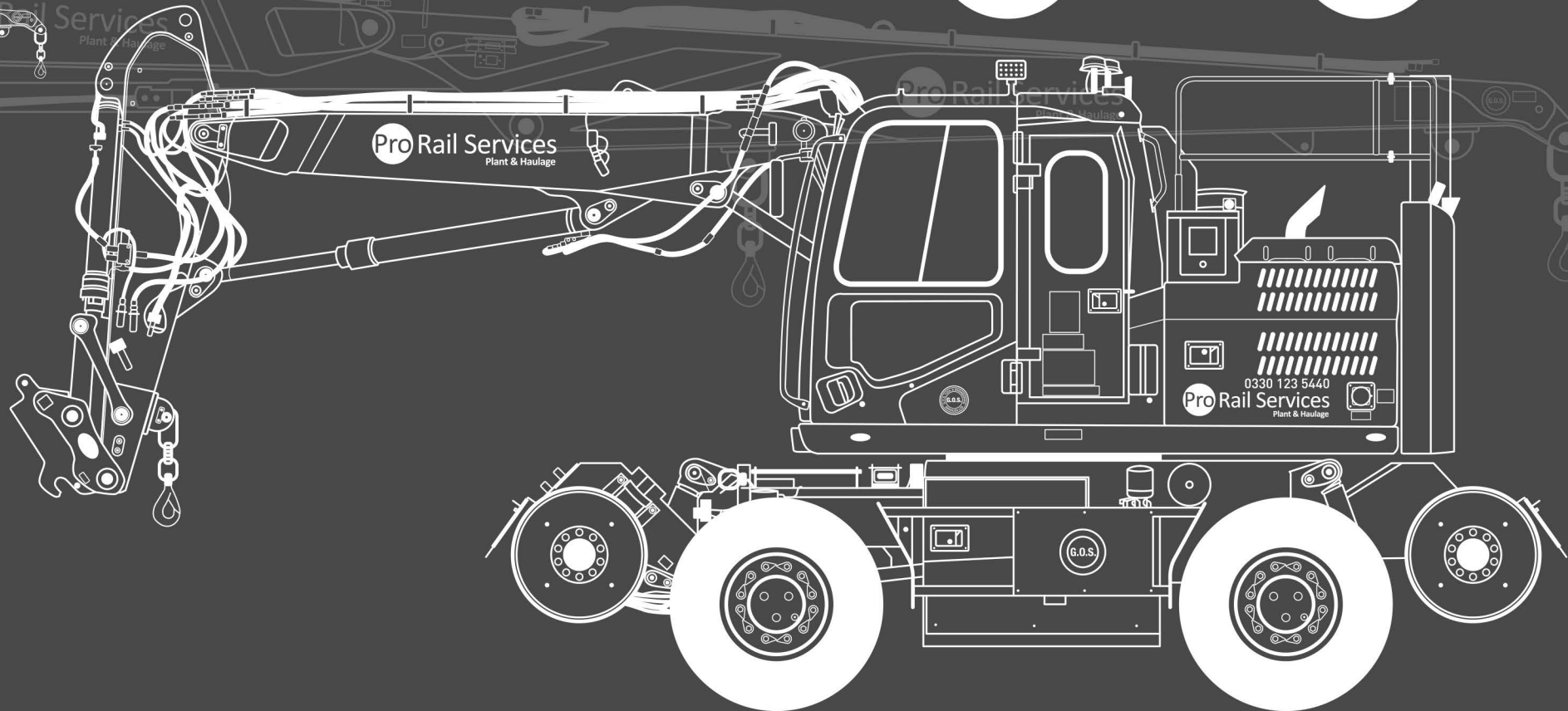
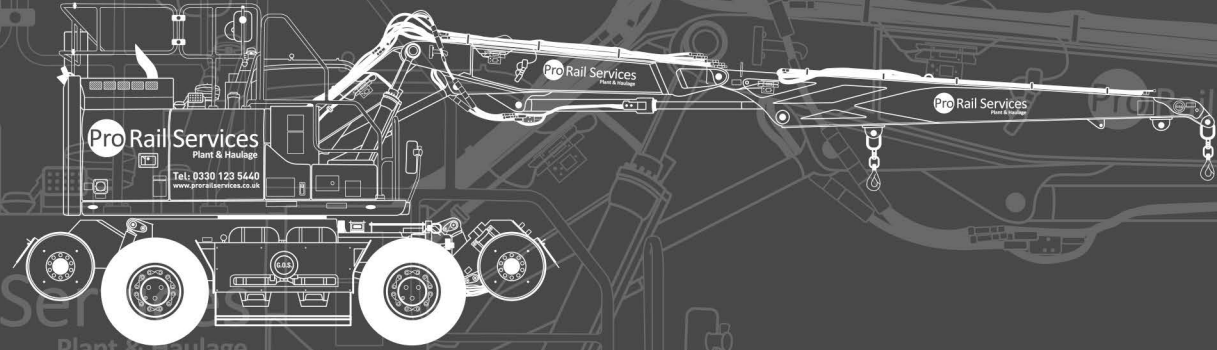
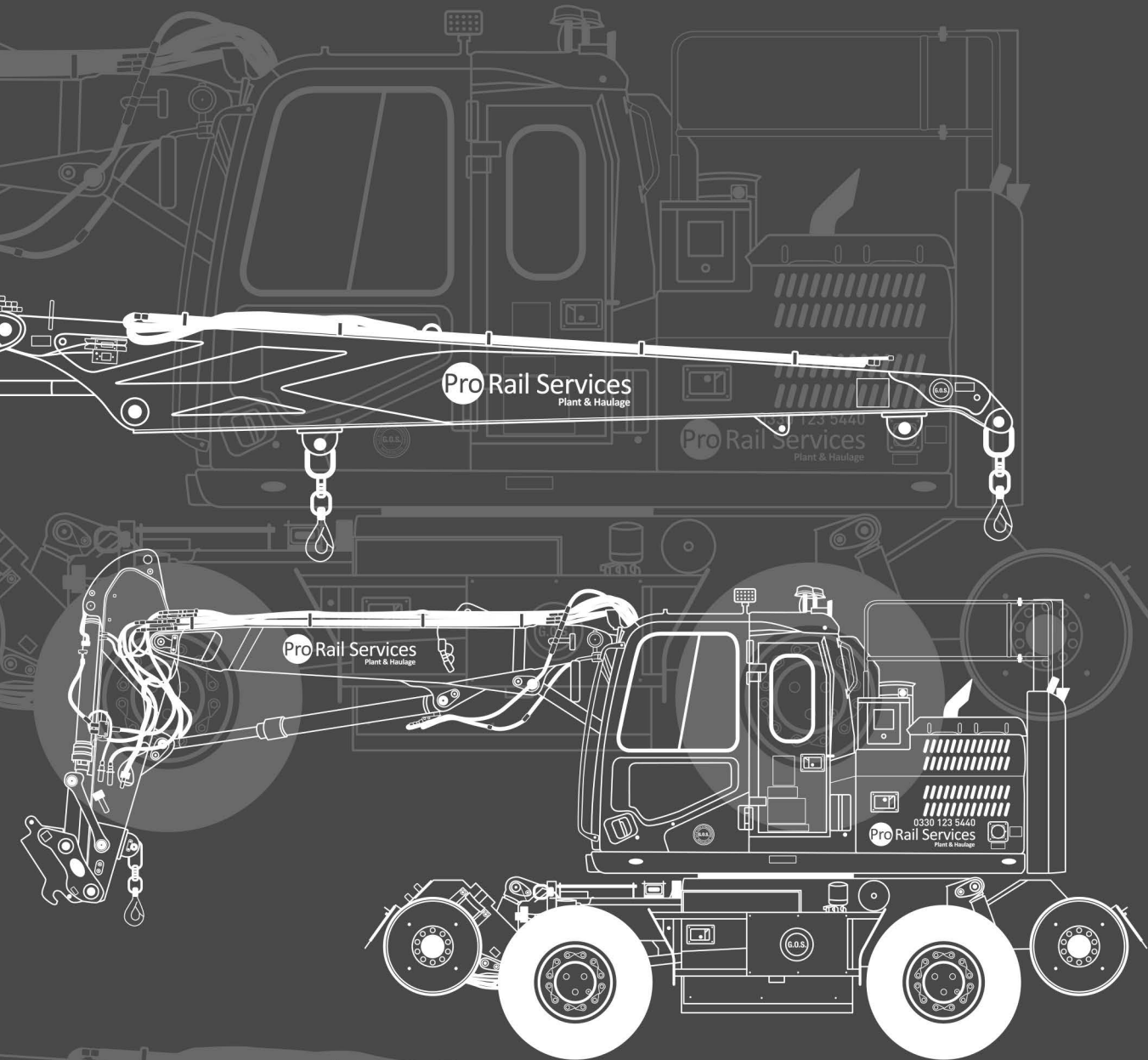
# Pro Rail Services

## Plant & Haulage



**DOOSAN**  
**HEAVY LIFT & LONG REACH**  
**DX270 RRV**

# DOOSAN DX270 RRV





FOR MORE INFORMATION OR TO DISCUSS YOUR REQUIREMENTS, CONTACT OUR RRV TEAM:

01403 822 701

**24** HOUR **0330 123 5440**

PLANT@PRORAILSERVICES.CO.UK



# EXCEEDING INDUSTRY STANDARDS WITH OUR HEAVY LIFT AND LONG REACH RRV'S

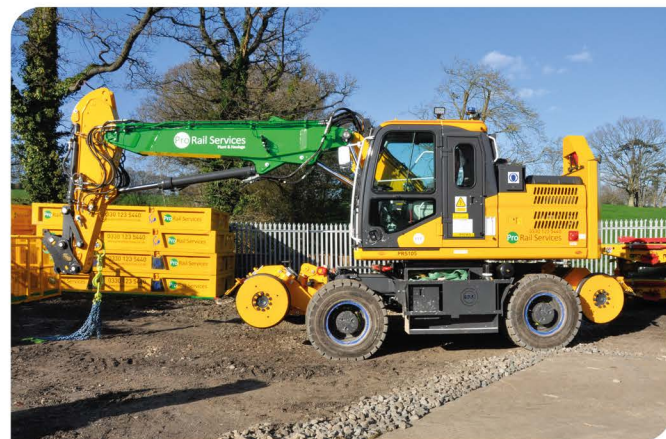
Pro Rail Services have a new fleet of Doosan DX270 RRV machines. This RRV is highly versatile, with heavy lift capabilities and additional long reach arm. Enabling a total outreach of just over 10.7 metres.

The DX270 has a wide range of attachments:

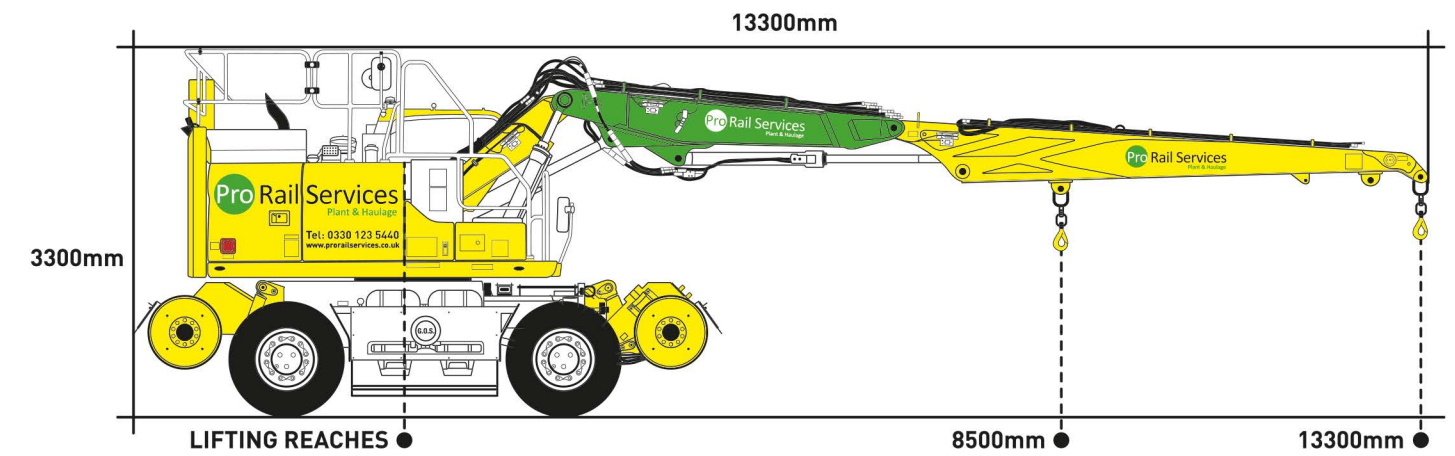
- RRV Vacuum Suction Equipment
- Chieftain Trailers
- Chieftain Ballast Boxes
- Breakers
- Clamshells
- Log Grabs
- Wide range of Buckets
- Flail/Mulcher

With a wealth of knowledge offered by our RRV team, our capabilities include:

- POS Licence Holders
- CPA / RPA Members
- 24 Hour on Call Team (Reactive Works)
- Specialist Plant Management Team
- Lift Planning
- RRV Plant Equipment
- Rubber Tracked Parallel Offset RRV's
- Wheeled Heavy Lift RRV's
- Wheeled Long Reach RRV's (5m Dipper Arm)
- Specialist Attachments
- Associated Rail Trailer / Ballast Boxes / Plant Ramps / Fall Arrest
- Specialist RRV Operator Hire
- Machine / Crane Controllers
- Civils Plant Hire
- Mobile Crane Services
- Excavators, Telehandlers, Dumpers, Lighting Towers, Welfare Cabins
- Specialist Plant Operator Hire (CPCS)



## DOOSAN DX270 RRV DIMENSIONS



### ADDITIONAL LONG REACH ARM

